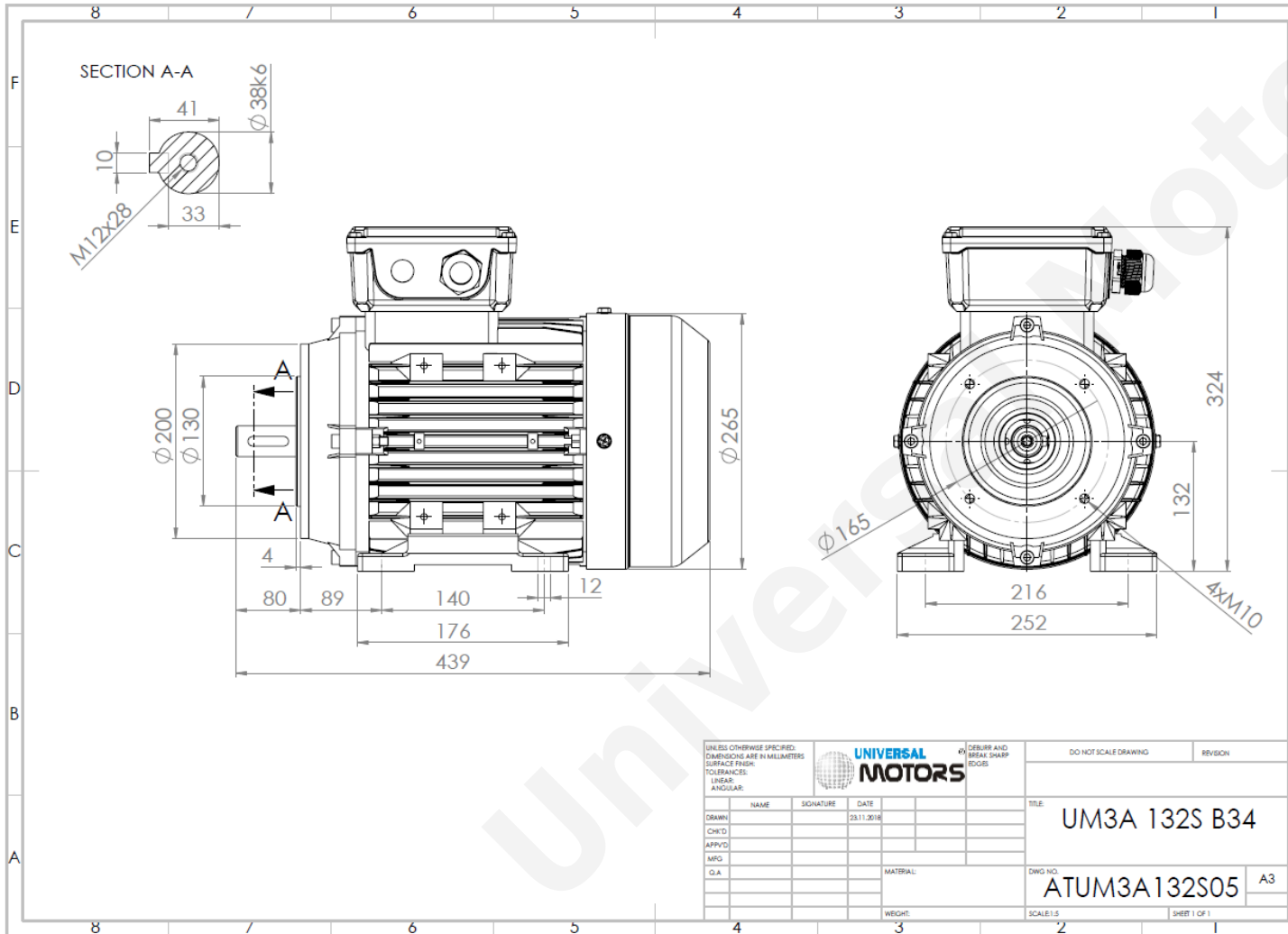




TECHNICAL DATA

Three Phase Electric Motors - Aluminum Frame
 PE31 132S-6
 3.0 kW / 4.0 Cv
 955 RPM



| | |
|-----------------------------|-----------------|
| Motor type: | PE31 132S-6 |
| Output: | 3.0 kW / 4.0 Cv |
| Speed (min ⁻¹): | 955 RPM |
| Frequency: | 50 Hz |
| Voltage: | 400 V |
| Current: | 6.8 A |
| Power factor (Cos ϕ): | 0.74 |
| Poles: | 6 |
| Insulation class: | F |
| Temperature rise Class: | B |
| Efficiency 50%: | 83.5 % |
| Efficiency 75%: | 86.0 % |
| Efficiency 100%: | 85.6 % |
| Torque: | 30.0 N.m |
| Tstarting/Tnominal: | 2.0 |
| Istarting/Inominal: | 6.2 |
| Tmaximum/Tnominal: | 2.1 |
| Noise: | 70 Db(A) |
| Weight: | 43.0 Kg |
| Bearing DE: | 6308 2Z C3 |
| Bearing NDE: | 6308 2Z C3 |

Regime - S1

Altitude - 1000m

Environment Temperature - 40°C

CONTACTS:

UNIVERSAL MOTORS Tel: +351 252 299 080
 Rua de São Brás,745 Fax: +351 252 299 089
 4480-782 VILA DO CONDE Mail: geral@universalmotors.pt

* References applied only in the UK